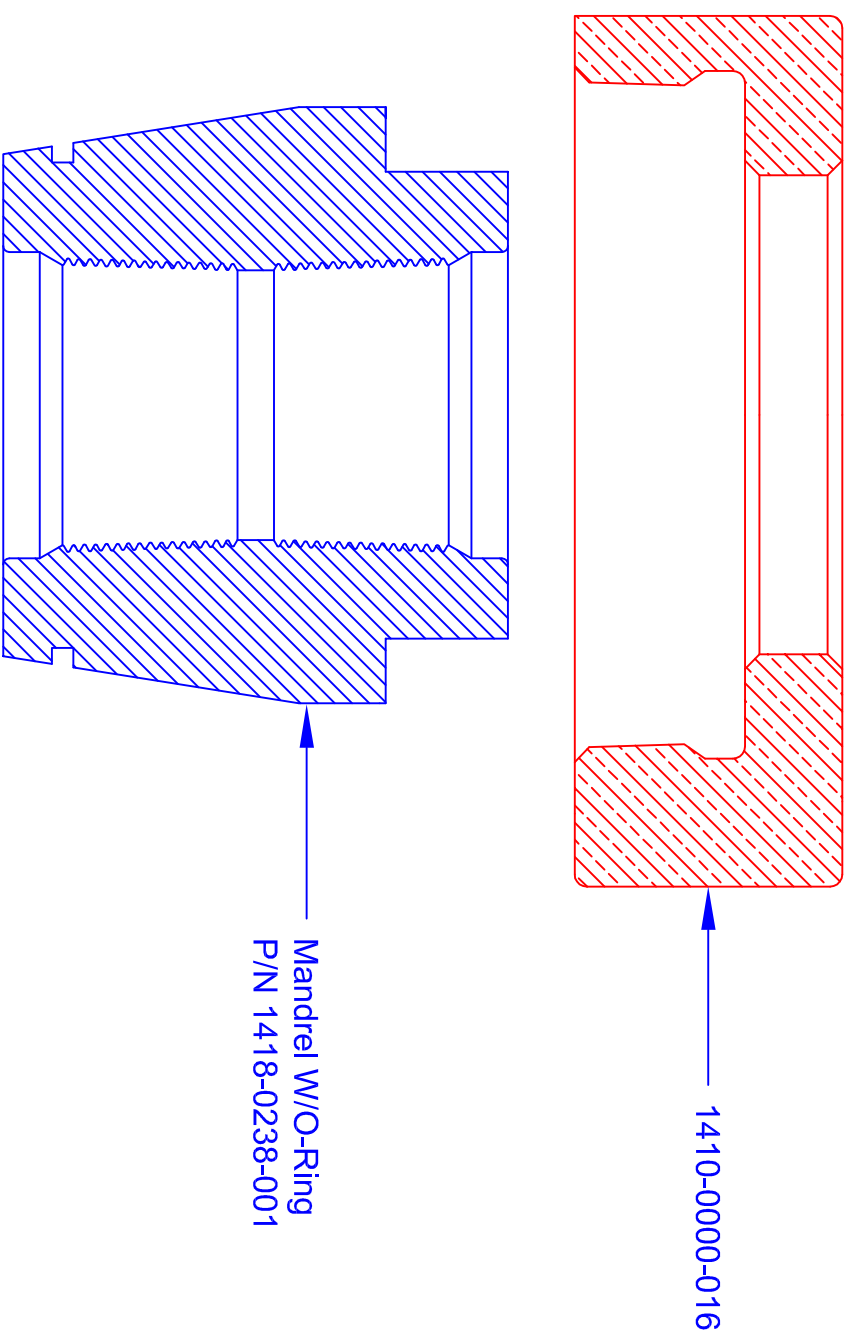


- Notes:
1. DEBURR AND REMOVE ALL SHARP EDGES
.015 X 45° UNLESS OTHERWISE NOTED
 2. PART TO BE FREE OF MACHINE OILS AND METAL CHIPS
 3. REFERENCE API 5B AND 11-IW



TOLERANCES UNLESS NOTED

DECIMAL	X.X	X.XX	X.XXX	ANGULAR SURFACE
	±.1	±.015	±.005	±.5° 125 rms



Material:
Ductile Iron
65-45-12
(Per API 11-IW)

Wellhead Systems Inc.
710 West McVey
Hill City, Kansas 67642

5-1/2 8rd x 2-3/8 Male Type
"HB" Tubing Head
W/Mandrel

P/N 1455-0238-021